



LA BARRIÈRE AUTOMATIQUE
F A B R I C A N T

SECURITY BY
DESIGN >>

LBA MISS HYDE

FIXED BOLLARD WITH SHELL

Ø 279 mm - H - 600 mm

- Fixed bollard concealed under a design cover
- High protection thanks to reinforced cylinder and floor anchoring
- Resistance 138 KJ, stops 1.5T vehicle at 50 km/h



Specifications

Technical features

Principle:

Miss Hyde is one of the **shell** models of shock-proof bollard that fits perfectly and respects the urban environment. Its **innovative material** allows to combine safety and improvement of the environment. This bollard by its design and its conception, becomes a true useful urban object, combining esthetics and safety, while removing the anxiety aspect of a shock-proof bollard.

Fixed bollard structure:

Steel sheet of Ø 279 mm, thickness of 16 mm, cathaphoresis treatment and RAL 7021 epoxy powder painting, other colors in option

Shell structure:

Innovative eco-active material: a last-generation synthetic resin; it contributes to the health of users by purifying the surrounding environment. It is **antibacterial, self-cleaning** and **eliminates toxic chemicals** by simple contact.

Dimensions:

Shell: height 1200 mm x diameter 384 mm
Fixed bollard: Ø 279 mm - H - 600 mm

Security by Design :

This bollard is part of a **Security By design** approach, expertise which consists in taking into account all the existing threats and risks, imperatives and constraints both architectural and functional of a site, to advocate **efficient security solutions**. The protection of users does not reinforce the insecure anxietyfeeling, thanks to a concealed bollard hidden into the urban landscape.

LBA MISS HYDE FIXED BOLLARD WITH SHELL

Ø 279 mm - H - 600 mm

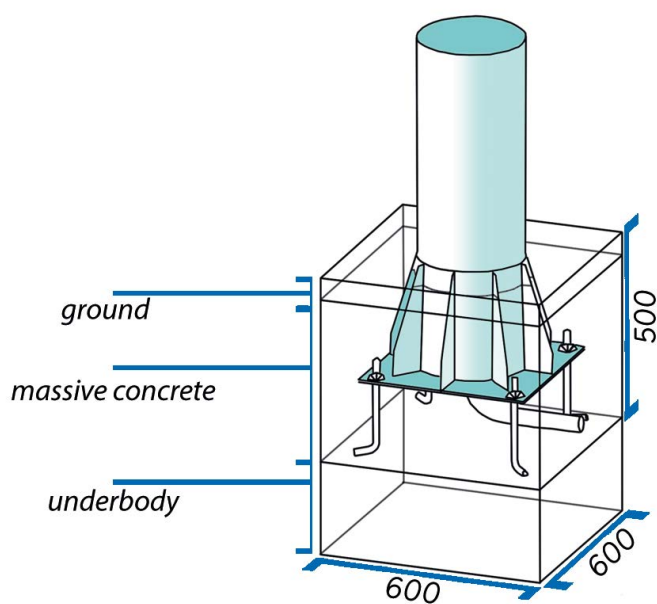


INSTALLATION

Sleeving and conduits:

1 Power supply (option) :

- Janolène Ø 63 mm
- U 1000 RO 2V cable 3 x 2.5 mm²



WORK TO BE CONDUCTED BY THE INSTALLER:

Massive concrete and for anchoring.

Power cables for LEDs cover