



LA BARRIÈRE AUTOMATIQUE  
F A B R I C A N T



SECURITY BY DESIGN >>

LBA CUBE

## FIXED BOLLARD WITH SHELL Ø 279 mm - H - 600 mm

- Fixed bollard concealed under a design cover
- High protection thanks to reinforced cylinder and floor anchoring
- Resistance 138 KJ, stops 1.5T vehicle at 50 km/h



Specifications	Technical features
<b>Principle:</b>	<b>Cube</b> , urban obstacle that <b>protects</b> public spaces and users from vehicle attacks while being <b>invisible</b> . As furniture with strict forms, it allows an appropriation of the public space as an object to live.
<b>Fixed bollard structure:</b>	Steel sheet of Ø 279 mm, thickness of 16 mm, cataphoresis treatment and RAL 7021 epoxy powder painting, other colors in option
<b>Shell structure:</b>	Innovative eco-active material: a last-generation synthetic resin; it contributes to the health of users by purifying the surrounding environment. It is <b>antibacterial, self-cleaning</b> and <b>eliminates toxic chemicals</b> by simple contact.
<b>Dimensions:</b>	Shell: height 1200 mm x diameter 384 mm Fixed bollard: Ø 279 mm - H - 600 mm
<b>Security by Design :</b>	This bollard is part of a <b>Security By design</b> approach, expertise which consists in taking into account all the existing threats and risks, imperatives and constraints both architectural and functional of a site, to advocate <b>efficient security solutions</b> . The protection of users does not reinforce the insecure anxietyfeeling, thanks to a concealed bollard hidden into the urban landscape.

# LBA CUBE FIXED BOLLARD WITH SHELL

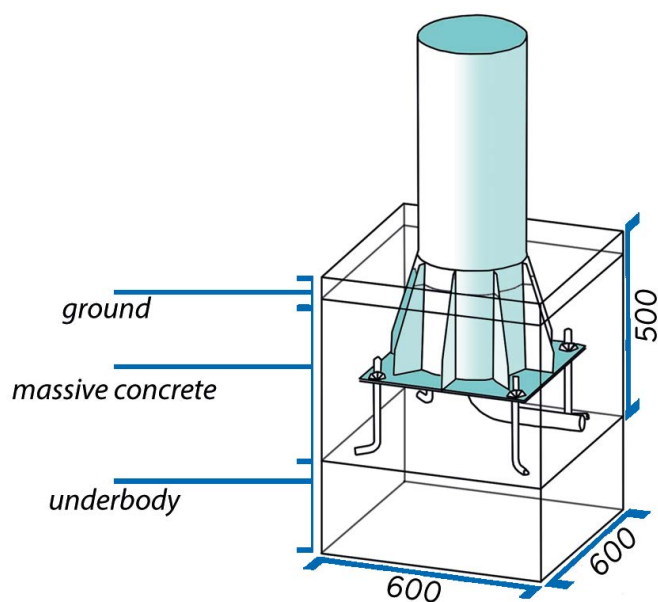
Ø 279 mm - H - 600 mm

## INSTALLATION

Sleeving and conduits:

① **Power supply (option) :**

- Janolène Ø 63 mm
- U 1000 RO 2V cable 3 x 2.5 mm<sup>2</sup>



## WORK TO BE CONDUCTED BY THE INSTALLER:

Massive concrete and for anchoring.

Power cables for LEDs cover