



**LA BARRIÈRE AUTOMATIQUE**  
F A B R I C A N T



**LBA B 30**

## HIGH SECURITY BOLLARD IWA 14

ø 325 mm - H : 1000 mm

- Hydraulic unit with double-acting jack integrated
  - LEDS strip crown as standard
- Stops 7.5t vehicle launched at 80 Km/h
  - Resistance : 1 852 KJ
- Steel or stainless steel version



**Foundation depth:**

1720 mm

**Height above ground:**

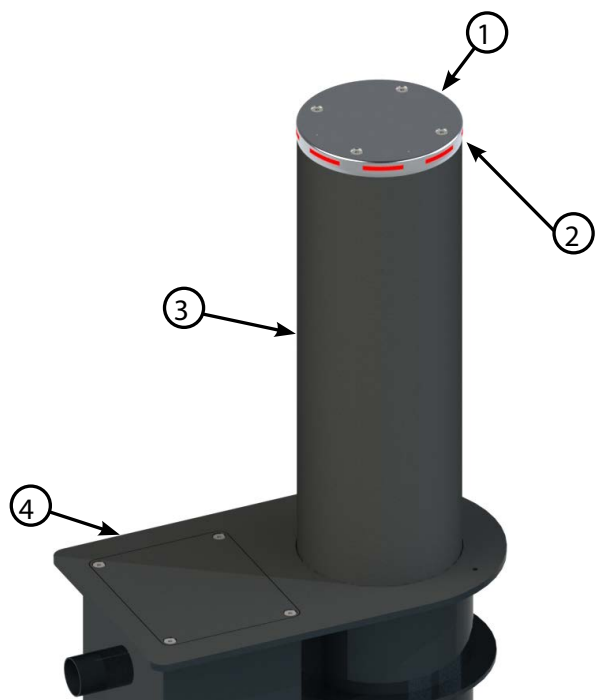
1000 mm

**Protection:**

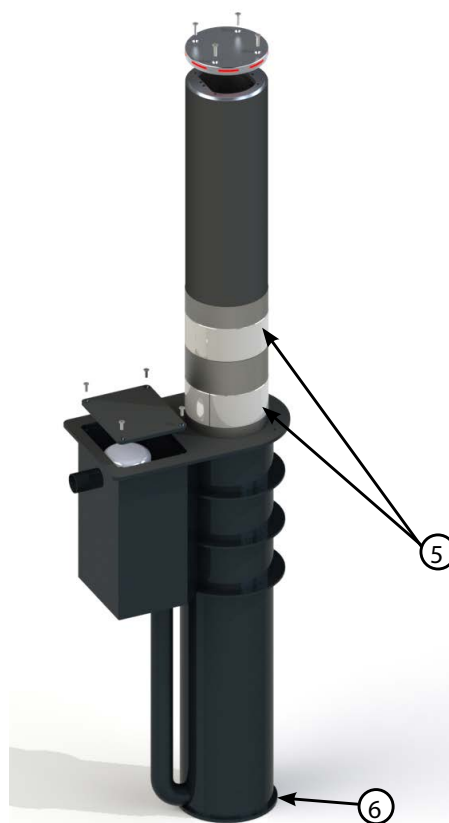
IP 67

Specifications	Technical features
<b>Dimensions:</b>	Diameter: 325 mm Height: 1000 mm
<b>Structure:</b>	45 mm thick steel bollard + sleeve 1,5 mm Standard: RAL 7021
<b>Casing:</b>	Steel protected with cataphoresis
<b>Top cover:</b>	Steel protected with cataphoresis, RAL 7021
<b>Flashing LED strip:</b>	Programmable red LEDS
<b>Motorisation:</b>	3kW integrated hydraulic unit with biodegradable fluid
<b>Transmission:</b>	Double-acting hydraulic jack
<b>Command:</b>	Control board and PLC
<b>Raising speed:</b>	6 seconds
<b>Lowering speed:</b>	3 seconds
<b>Resistance:</b>	1852 Kj
<b>Weigth:</b>	920 Kg
<b>Norm:</b>	IWA 14
<b>Optional equipment:</b>	RAL Color of your choice - Intelligent LED strip, bicolor LEDS - Lift pump - Heating resistance -50 C for the control cabinet - Tropicalized kit for the control cabinet - Loop detector - Commutable stainless steel sleeve

## BOLLARD LBA B 30



- 1 - LBA head of bollard
- 2 - Flashing LED strip
- 3 - Mobile housing Ø325 mm
- 4 - LBA top cover



- 5 - Guiding device
- 7 -Buried casing,  
section: 850x500mm  
height: 1720mm

LBA B30

## INSTALLATION

- 1 Loop cable
- 2 Sleeve for motor cable and control
- 3 Magnetic security loops
- 4 Totem

The automatic LBA retractable bollard is ready to be measured in all environments. Equipped with an integrated hydraulic power unit, this system guarantees a high frequency of use. It successfully passed the crash test for IWA14 certification

