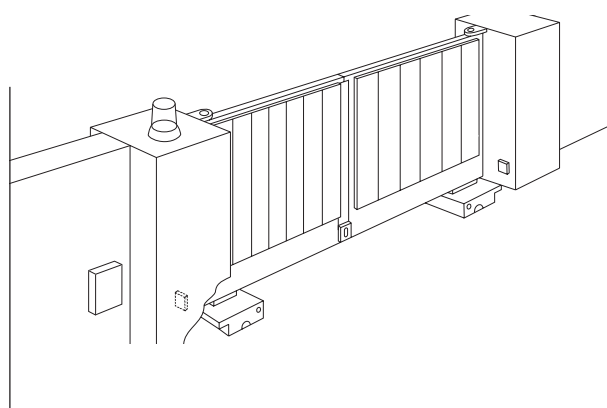
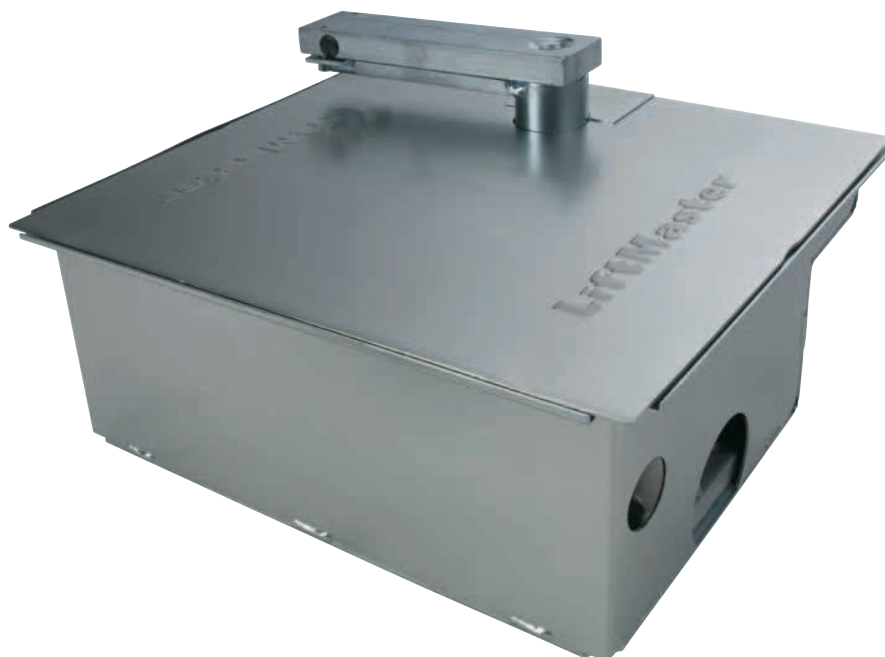


UNDERGROUND GATE OPERATOR

SUB300



2-Year Full warranty

Install all equipment in compliance with EN60335-2-103.

High quality accessories included in the carton



3-channel mini remote control 94335E



Receiver 801221



IR Sensor 772E



Control 230 V CB11



Control 24 V CB124



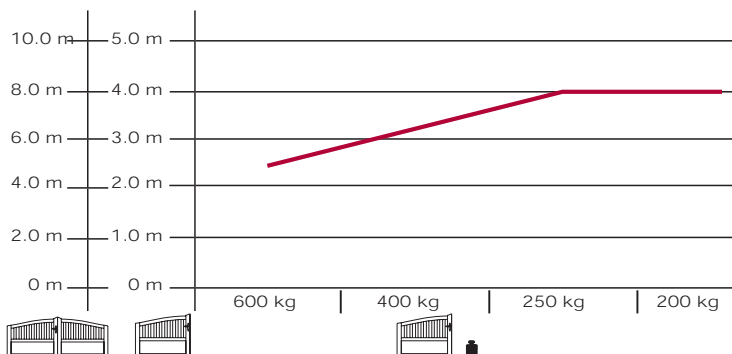
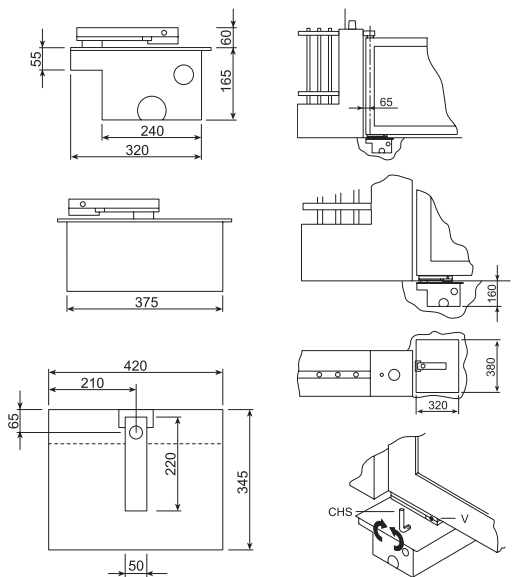
Box SUB300B



Door arm SUB-110°



* From Q III 2013, all LiftMaster Gate Operators will include the new 4-channel universal transmitter 433 MHz (TX4UNI). The TX4UNI universal transmitter can be used with any LiftMaster operator since 2003 which will enable you to operate all your LiftMaster Garage Door and Gate Operators with just one transmitter!



Optional accessories



SUB-180 – 180° Arm



SUB-100S – Retro-fit arm



SUB-110 – 110° Arm

For more accessories please refer to the price book.

Technical Data

		SUB300	SUB324
Voltage IN	V AC	220–240	220–240
Frequency	Hz	50	50
Motor voltage	V	230 AC	24 DC
Power (nom.)	W	300	48
Current (max.)	A	2.1	2.0
Torque (max.)	Nm	380	380
Capacitor	µF	10	–
Thermal overload protection	°C	150	–
Motor speed	rpm	1,400	2,500
Duty cycle	cycles/h	~20	~40
Working temperature range	°C	-25/+55	-25/+55
Protection class		I	I
Degree of protection	IP	67	67
Motor weight (~)	kg	10	10

Model & carton content chart

Model	Drive unit	Capacitor	Electronic control	Remote control 94335E	Receiver & radio 801221	Foundation box*	Drive arm**	IR sensor 772E	Flashing light FLA1-LED	Key switch COM18010	Antenna kit ANT4X-1LM	Number of cartons
SUB300M	1 x	•										1
SUB324M	1 x											1
SUB300K	2 x	•	•	2 x	433 MHz	•	•	•	optional	optional	optional	8
SUB324K	2 x		•	2 x	433 MHz	•	•	•	optional	optional	optional	8

*SUB300B Zinc coated box included

**SUB-110 110° opening arm included