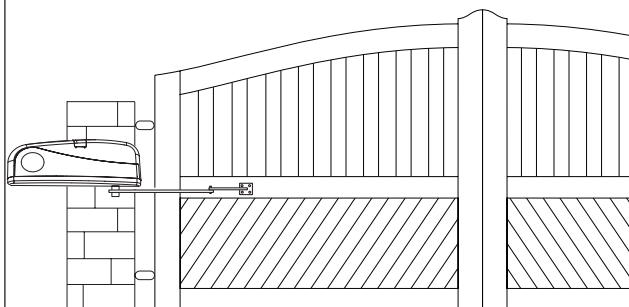


WING GATE OPERATOR

ART300



2-Year Full warranty
Install all equipment in compliance with EN60335-2-103.

High quality accessories included in the carton ART300K | ART300K-124



3-channel mini remote control 94335E



Receiver 801221



IR Sensor 772E



Control 230 V CB11



Control 24 V CB124



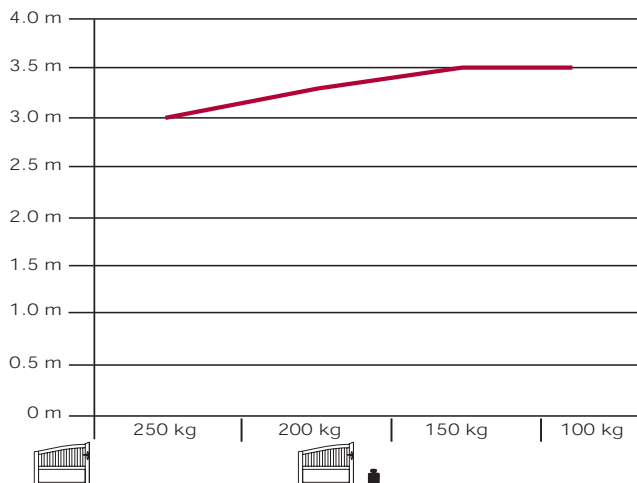
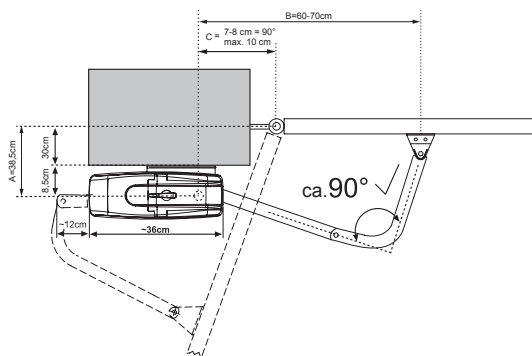
Base plate standard ART-7



Drive arm ART-3AL



* From Q III 2013, all LiftMaster Gate Operators will include the new 4-channel universal transmitter 433 MHz (TX4UNI). The TX4UNI universal transmitter can be used with any LiftMaster operator since 2003 which will enable you to operate all your LiftMaster Garage Door and Gate Operators with just one transmitter!



Optional accessories



ART-1 1 m Folding door arm



ART-2 2 m Gate arm



ART-5 Internal release lock for gates



ART-3 3 m Gate arm



ART-6 Base plate narrow fit



ART-4 External release lock for gates

For more accessories please refer to the price book.

Technical Data

		ART300	ART300-124
Volatage IN	V AC	220–240	220–240
Frequency	Hz	50	50
Motor voltage	V	230	24
Power (nom.)	W	400	60
Current (max.)	A	1.8	2.5
Torque	N	350	280
Capacitor	µF	10	–
Thermal overload protection	°C	140	not required
Motor speed	rpm	1,400	1,800
Opening Time 90 degree	sec	~14	~12
Duty cycle	cycles/h	~20	~50
Working Temperature range	°C	-20/+55	-20/+55
Protection class		I	I
Degree of protection	IP	44	44
Product weight (-)	kg	6	9

Model & carton content chart

Model	Drive unit with cover	Capacitor	Limit switch	Electronic control	Mounting plate ART-7*	Drive arm ART-3AL**	Remote control 94335E	Receiver & radio 801221	IR sensor 772E	Flashing light FLA1-LED	Key switch COM18010	Antenna kit ANT4X-1LM	Number of cartons
ART300	1 x	•	•										1
ART300K	2 x	•	•	•	•	•	2 x	433 MHz	•	optional	optional	optional	8
ART300-124	1 x		•										1
ART300K-124	2 x		•	•	•	•	2 x	433 MHz	•	optional	optional	optional	8

*ART-7 Standard wide fit post bracket

**ART-3AL Aluminium design door arm